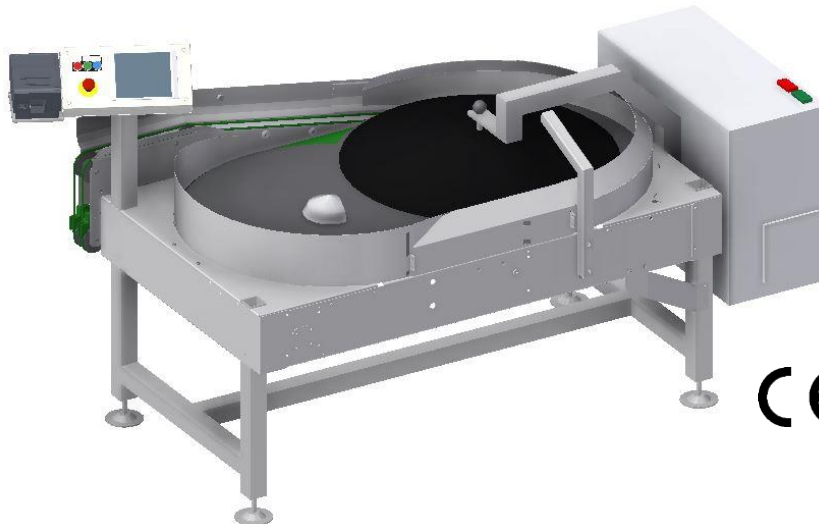


HLZ MD C

High Speed Counting Only

The HLZ MD C is an industrial high-speed counting machine for handling of refillable and non-refillable used beverage containers. It serves as customer station. Made of stainless steel (AISI304), the machine is designed for handling any mix of PET bottles, cans and glass bottles (Tetra packs and gable tops are optional).



Technical Specifications

Dimensions	Customizable
Stations	Customizable
Power	3 Phase volt. + N + PE
Motor (kW)	2.2
Detection *	Photo electric sensor
Inliner	Mono Disc
Infeed	by optional external feeder
Network 1	LAN for counting data transmission
Network 2	LAN HLZ Eazy/VPN for remote support

Highlights

Material construction	Stainless Steel AISI304
Capacity	50 - 150 containers / min.
Registration accuracy	≥99.5%
Container types *	PET, Alu cans, glass
Container shape	Cylindrical Ø50-130 mm.
Container length	Up to 400 mm/16"
Structure	Multiple module combination
Ambient temp.**	min.7C°/F44 max.+40C°/F104
Approval	CE, UL, CSA

Options

Bulk feeder (Size on request)

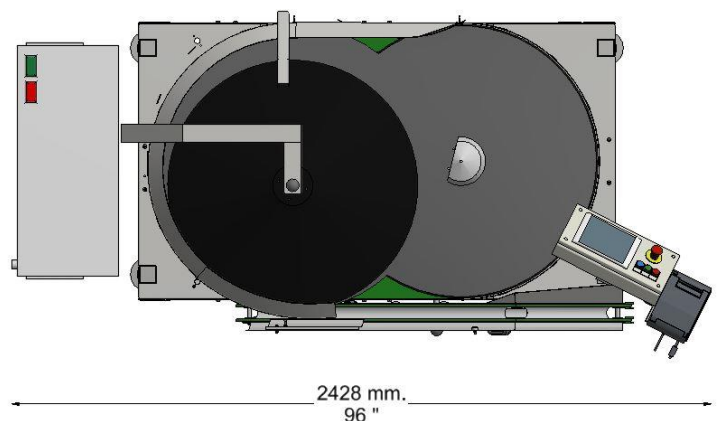
Debris separator for glass

Batch scanner

Light curtain counter system for odd containers

Illustrated model: HLZ MD C

1203 mm.
47 "



* Other types, on request (custom design).
** AC is optional.